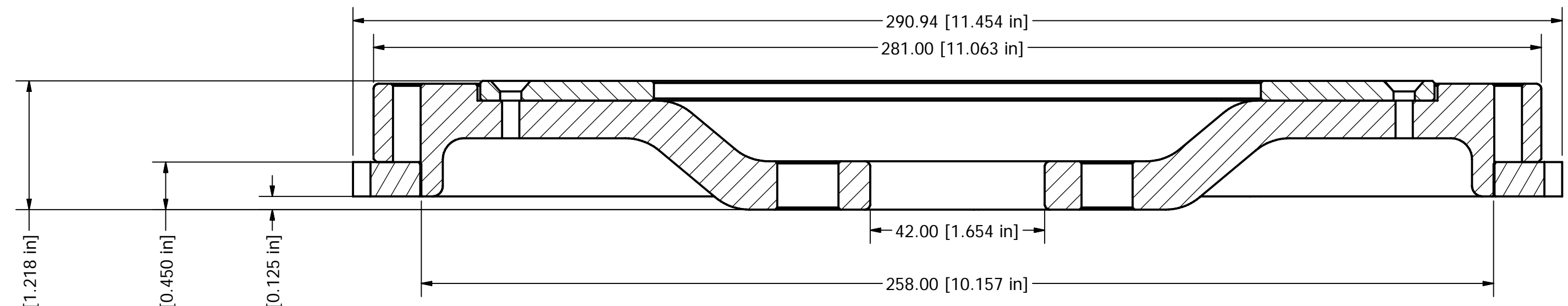
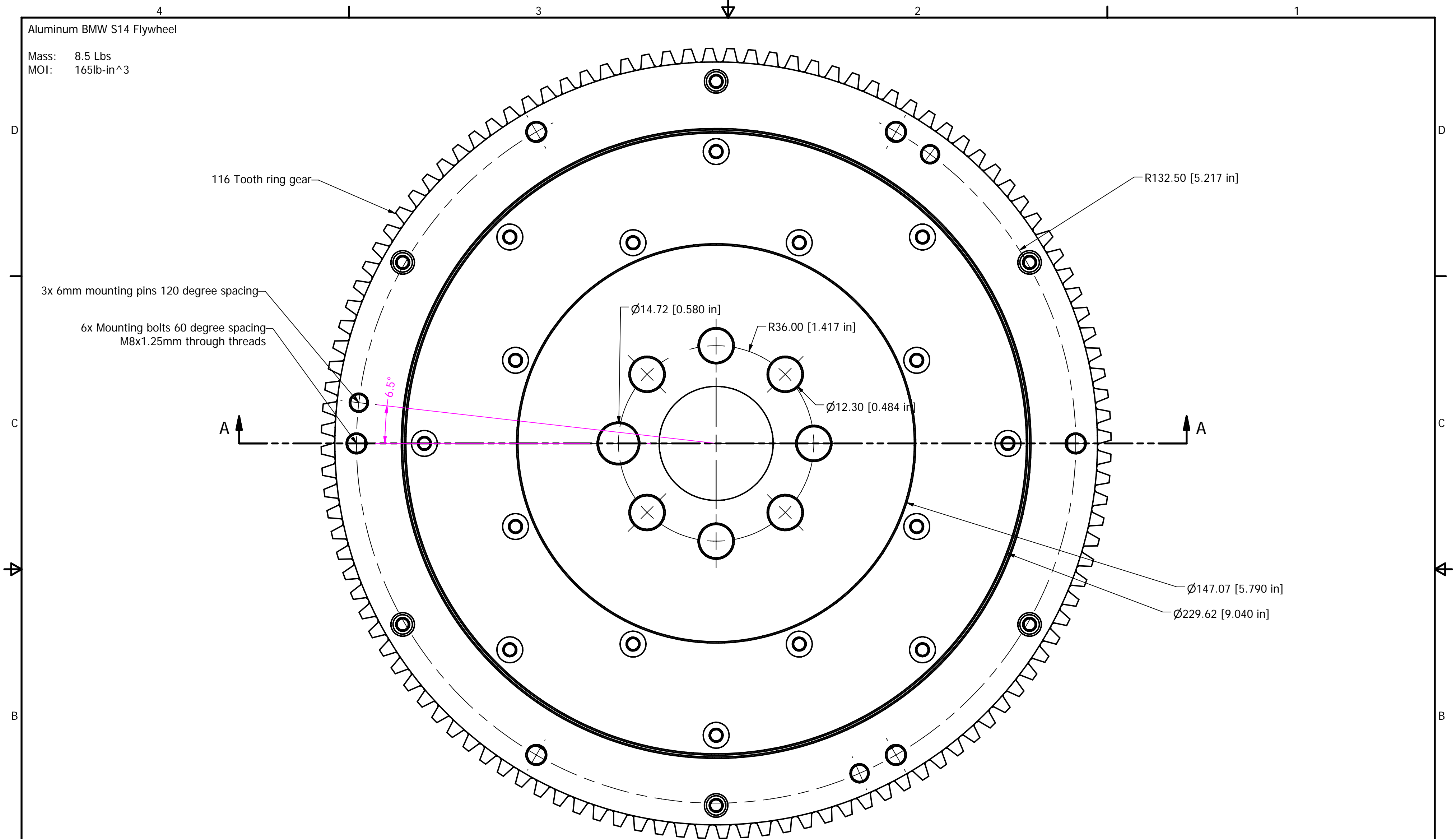


Aluminum BMW S14 Flywheel

Mass: 8.5 Lbs
MOI: 165lb-in³



SECTION A-A
SCALE 1 : 1

Jason Miller
Miller's Mule Machine and Design
jasonmiller@millersmule.com
979-450-1388